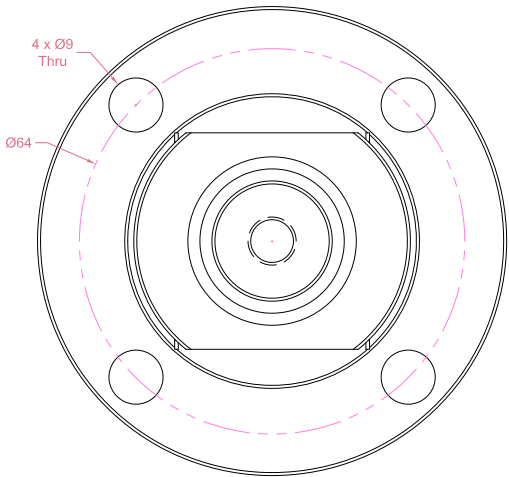
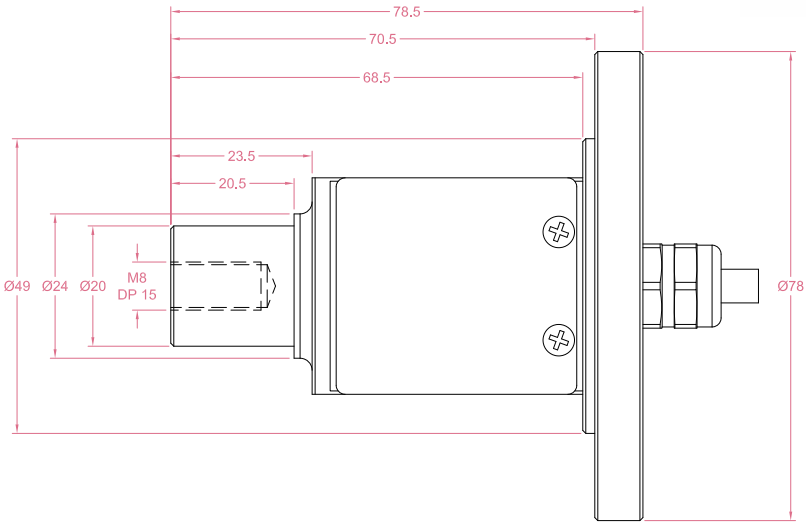
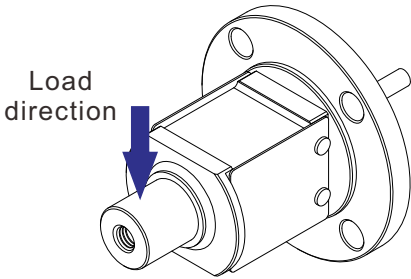




Dimensions in "mm"



Specifications	
Capacity	100/200/300/500/1000 N
Excitation & Output	Refer to ordering part No.
Zero Balance	±2% F.S.
Nonlinearity	±0.2% F.S.
Hysteresis	±0.2% F.S.
Nonrepeatability	±0.1% F.S.
Safe Load Limit	150% F.S.
Operating Temp.	-20...+60°C
Temp. Coeff. of Zero	±0.02% F.S./°C
Temp. Coeff. of Span	±0.02% F.S./°C
Material	Stainless steel
IP Rating	IP62
Cable	Ø5.6*3000mm

Order example:

2 x STAH-200N-A

Quantity Ordering part No.

Email to sales@loadcellsensor.com for a quote

Ordering part No.: Model - Capacity - Code				
Model	Capacity	Code	Output	Power supply
STAH	100N	A	1.0 mV/V	3~12V DC 12~24V DC
	200N	B	0-5V	
	300N	C	0-10V	
	500N 1000N	D	4-20mA	
Example: STAH-500N-B means: Model: STAH Capacity: 500N Output: 0-5V Power supply: 12~24V DC				

Wiring code		
1.0mV/V		0-5V/0-10V/4-20mA
Power+	Red	Power+
Power-	Black	Power- & Output-
Output+	Green	/
Output-	White	Output+

• LCS reserves the right to modify its design and specifications without notice

