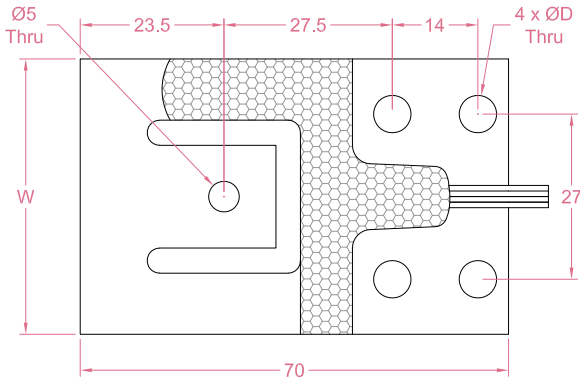
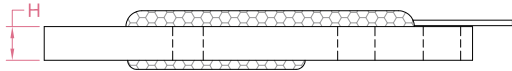
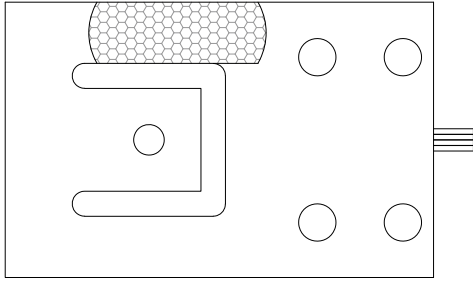




Dimensions in "mm"



Capacity	H	W	D	Rated output
30kg	3.5	39	5.1	1.5±0.2mV/V
75kg	4.52	45	6.1	1.5±0.2mV/V
150kg	5.5	45	6.1	2.0±0.2mV/V
300kg	7.75	45	6.1	2.0±0.2mV/V

Order example:

8 x LCA02 - 150kg

Quantity Model Capacity

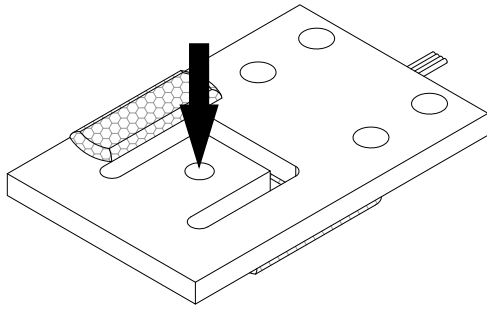
Email to sales@loadcellsensor.com for a quote

Specifications			
Rated Capacity	30/75/150/300 kg		
Rated Output	1.5/2.0 mV/V	Compensated Temp.	0...+40°C
Excitation	3~15V	Operating Temp.	-10...+55°C
Zero Balance	±0.1 mV/V	Temp. Coeff. of Zero	±0.1% F.S./°C
Nonlinearity	±0.05% F.S.	Temp. Coeff. of Span	±0.005% F.S./°C
Hysteresis	±0.05% F.S.	Input Resistance	1100±100 Ohms
Nonrepeatability	±0.05% F.S.	Output Resistance	1000±100 Ohms
Creep(3min)	±0.05% F.S.	Insulation Resistance	>2000M Ohms(50V)
Safe Load Limit	150% F.S.	IP Rating	IP62
Breaking Load	200% F.S.	Element Material	Aluminum alloy
Cable	30/75kg: 4 x 26AWG*400mm 150/300kg: 4 x 26AWG*160mm		

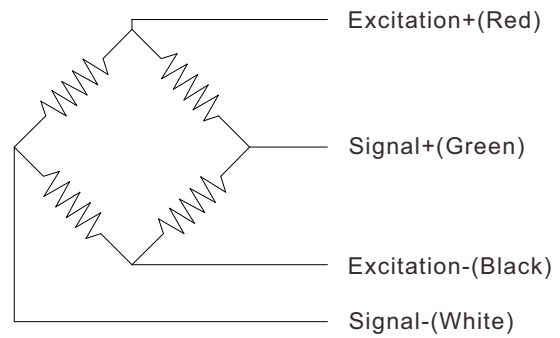
• LCS reserves the right to modify its design and specifications without notice



Load direction



Wiring Code



Sensor/Amplifier/Indicator

Items	Power supply	Output/Function
LCA02	3-15V (Constant)	0mV...+30mV (Depending on the power supply and capacity)
LCA02 + Analog amplifier	12~24V DC	0-3.3V,0-5V,0-10V, 0-20mA,4-20mA...
LCA02 + Digital amplifier	12~24V DC	RS485 or RS232 output
LCA02 + Indicator	12~24V DC	Display force value Switch/Relay output Peak holding RS485/RS232 interface 0-5V/0-10V/4-20mA output
Email us for datasheet of amplifier and indicator		