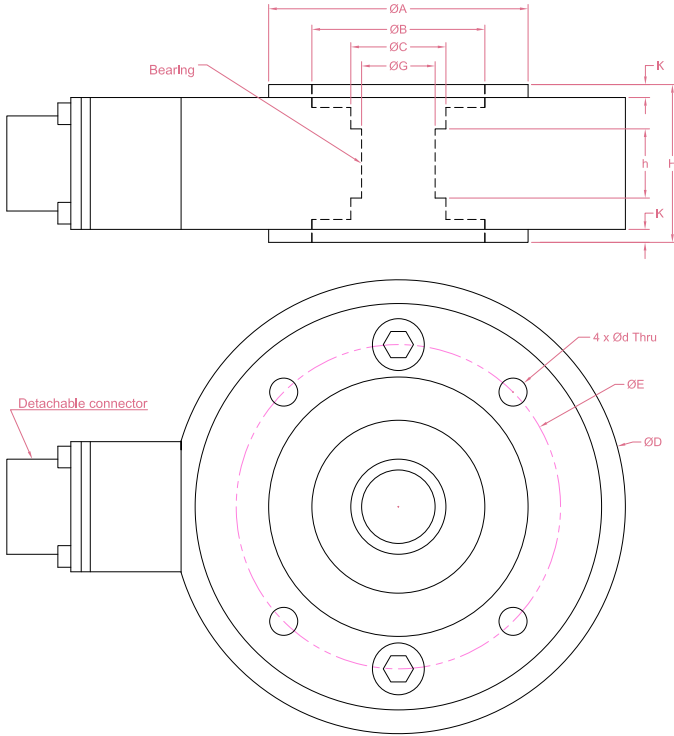




Dimensions in "mm"



Model	Capacity(kg)	D	H	A	B	C	G	h	K	E	d
STCK100	15/25/50	100	36.5	50	30	18	12	14	3	70	6.5
STCK105	15/25/50/100	105	36.5	60	40	22	17	16	3	75	6.5
STCK125	50/75/100/150	125	47.5	70	45	31	25	18	4	95	6.5
STCK175	100/150/200/300	175	65	100	70	44	35	23	4	135	8.5
STCK225	300/500/600	225	75	130	82	61	50	23	4	175	10.5
STCK265	600/1000	265	80	160	94	80	65	33	4	220	10.5

Order example:

2 x STCK105 - 50kg

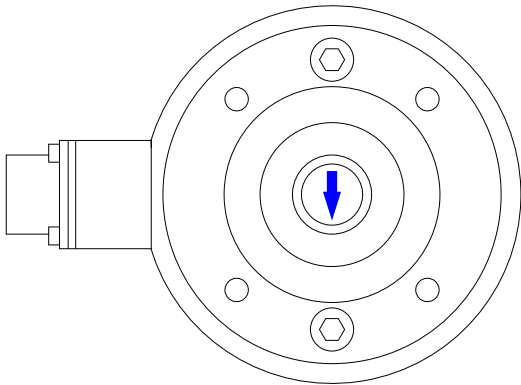
Quantity Model Capacity
 Email to sales@loadcellsensor.com for a quote

Specifications			
Rated Capacity	15/25/50/75/100/150/200/300/500/600/1000 kg		
Rated Output	1.5 mV/V	Compensated Temp.	0...+40°C
Excitation	3~12V	Operating Temp.	-20...+60°C
Zero Balance	±0.03 mV/V	Temp. Coeff. of Zero	±0.02% F.S./°C
Nonlinearity	±0.3% F.S.	Temp. Coeff. of Span	±0.02% F.S./°C
Hysteresis	±0.3% F.S.	Input Resistance	380±30 Ohms
Nonrepeatability	±0.1% F.S.	Output Resistance	352±5 Ohms
Creep(3min)	±0.1% F.S.	Insulation Resistance	>2000M Ohms(50V)
Safe Load Limit	150% F.S.	IP Rating	IP50
Breaking Load	200% F.S.	Element Material	Alloy steel
Cable	Ø5.3*3000mm 4-conductor shielded cable		

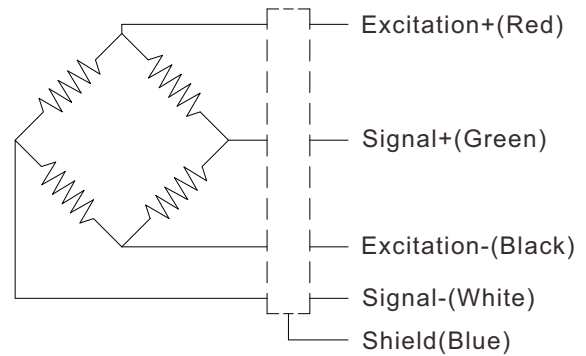
• LCS reserves the right to modify its design and specifications without notice



Load direction



Wiring Code



Shield is NOT connected to the sensor body

Sensor/Amplifier/Indicator

Items	Power supply	Output/Function
STCK	3-12V (Constant)	0mV...+18mV (Depending on the power supply)
STCK + Analog amplifier	12~24V DC	0-3.3V,0-5V,0-10V, 0-20mA,4-20mA...
STCK + Digital amplifier	12~24V DC	RS485 or RS232 output
STCK + Indicator	12~24V DC	Display force value Switch/Relay output Peak holding RS485/RS232 interface 0-5V/0-10V/4-20mA output

[Email us for datasheet of amplifier and indicator](#)

Customization options

Cable (Length/Specifications/Connectors)
Dimensions and measuring range
Working Temperature (-40°C...+150°C)